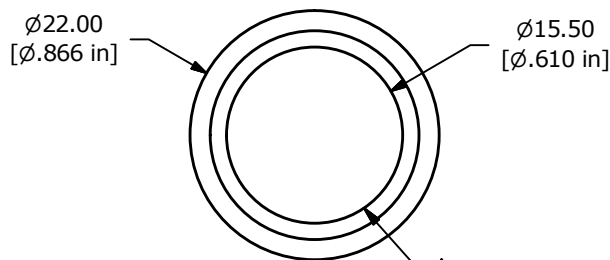


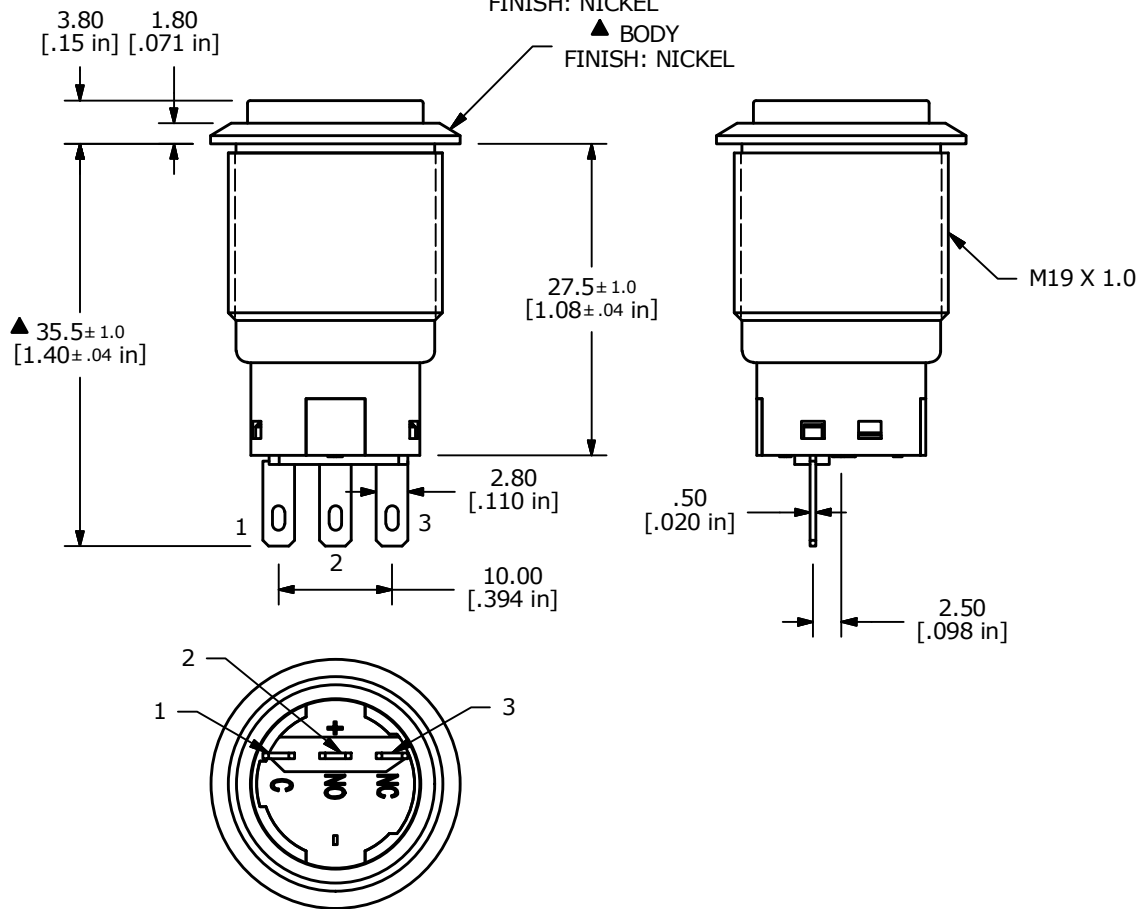
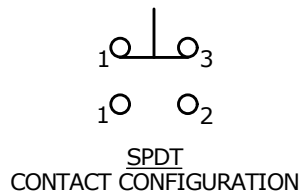
Recommended PANEL CUTOUT  
MAX. PANEL THICKNESS  
11.0mm [.433]



▲ HIGH ACTUATOR FINISH: NICKEL  
▲ BODY FINISH: NICKEL



SWITCH FUNCTION	
POS. 1	POS. 2
ON	ON
1-3	1-2



NOTE:

1. ALL DIMENSIONS IN MM [INCH]
2. GENERAL TOLERANCE: X.X = ±0.4  
X.XX = ±0.25
3. TERMINAL NUMBERS FOR REF ONLY
- ▲ 4. CONTACT MATERIAL: SILVER
5. RATING: 2A 24VDC
6. ELECTRIC LIFE: 50,000 MAKE-AND-BREAK CYCLES AT FULL LOAD.
7. INSULATION RESISTANCE: 1,000 MΩ MIN.
8. DIELECTRIC STRENGTH: 2,000 VAC MIN. FOR 1 MINUTE
9. CONTACT RESISTANCE: 50mΩ MAX. @ 1A 12VDC
10. OPERATING TEMP.: -20°C to 55°C
- ▲ 11. TRAVEL: 2.8mm
12. ▲ DENOTES CRITICAL PARAMETER.
- ▲ 13. INGRESS PROTECTION: IP65
- ▲ 14. HARDWARE SUPPLIED: O-RING AND HEXNUT



C	23606	UPDATED RATING TO 2A @ 24VDC	10/11/18	MJR
B	22601	UPDATE PRINT, CORRECT FUNCTION TO ON-ON	11/18/16	MW
REV	PCR NO	DESCRIPTION	DATE	BY

TITLE PV4H230NN				
SCALE 3:2	DATE 12/26/2012	DR EBP	DWG 52-PV4H230NN	REV C

THE INFORMATION CONTAINED IN THIS DOCUMENT IS PROPRIETARY TO E-SWITCH AND IS NOT TO BE COPIED OR TRANSFERRED